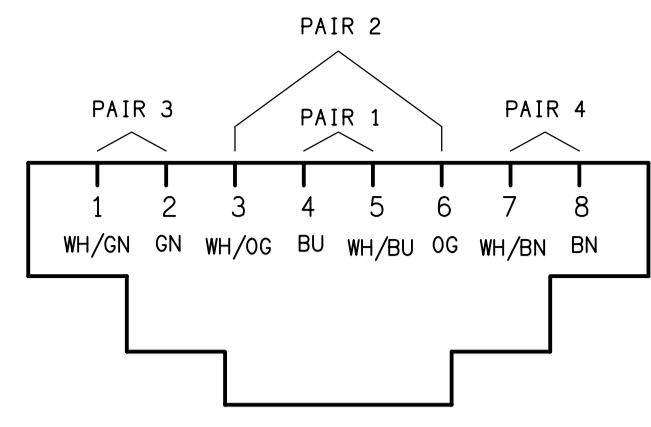
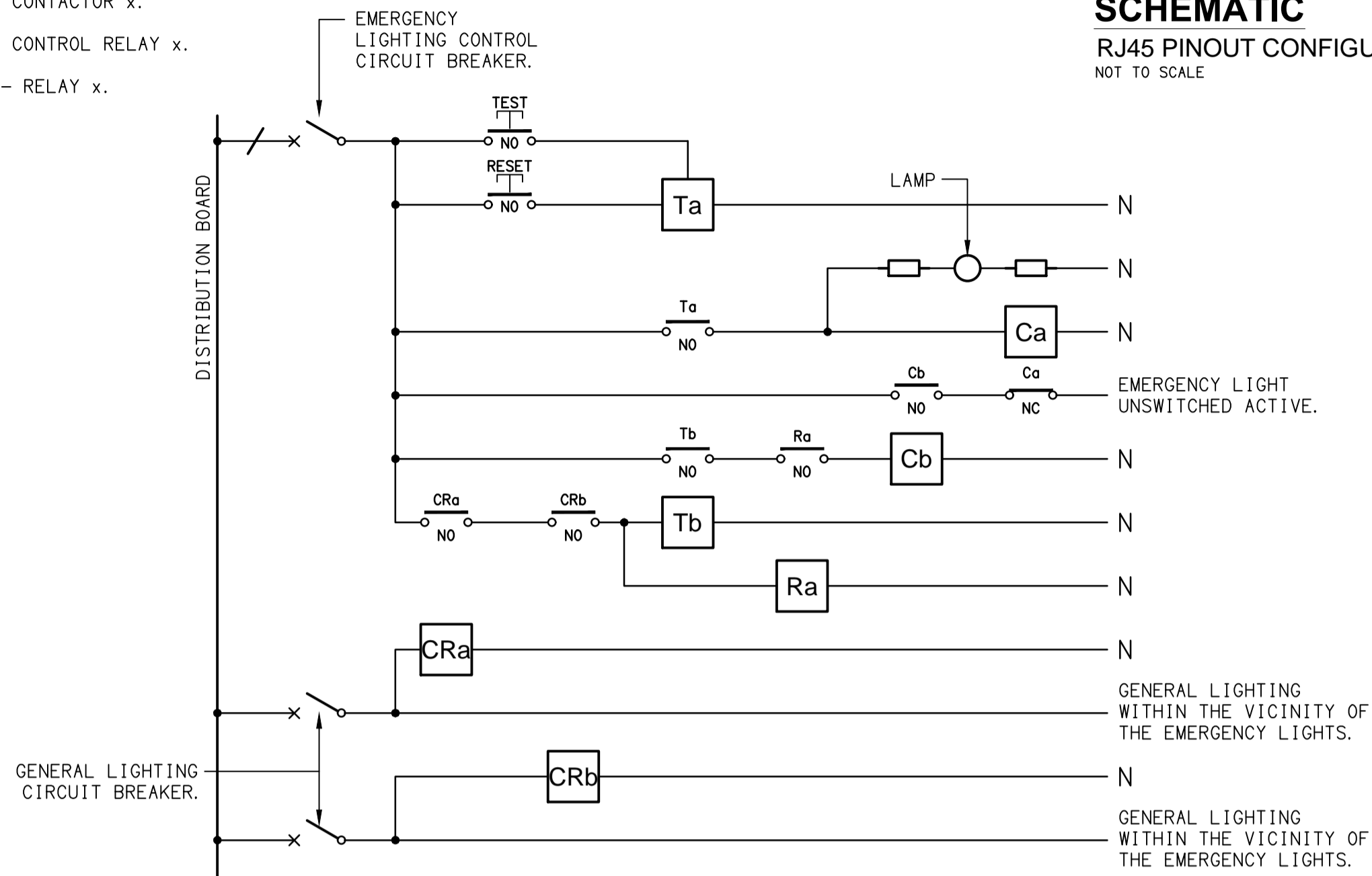


EQUIPMENT:

- TEST - TEST PUSH BUTTON MOUNTED ON THE DISTRIBUTION BOARD ESCUTCHEON.
- RESET - RESET PUSH BUTTON MOUNTED ON THE DISTRIBUTION BOARD ESCUTCHEON.
- LAMP - AMBER TEST INDICATING LAMP MOUNTED ON THE DISTRIBUTION BOARD ESCUTCHEON.
- Ta - ADJUSTABLE 0-3 HOUR TIMED RELAY.
- Tb - 15 MINUTE RUN-ON TIMER TO OPERATE UPON THE RETURN OF MAINS POWER.
- Cx - CONTACTOR x.
- CRx - CONTROL RELAY x.
- Rx - RELAY x.



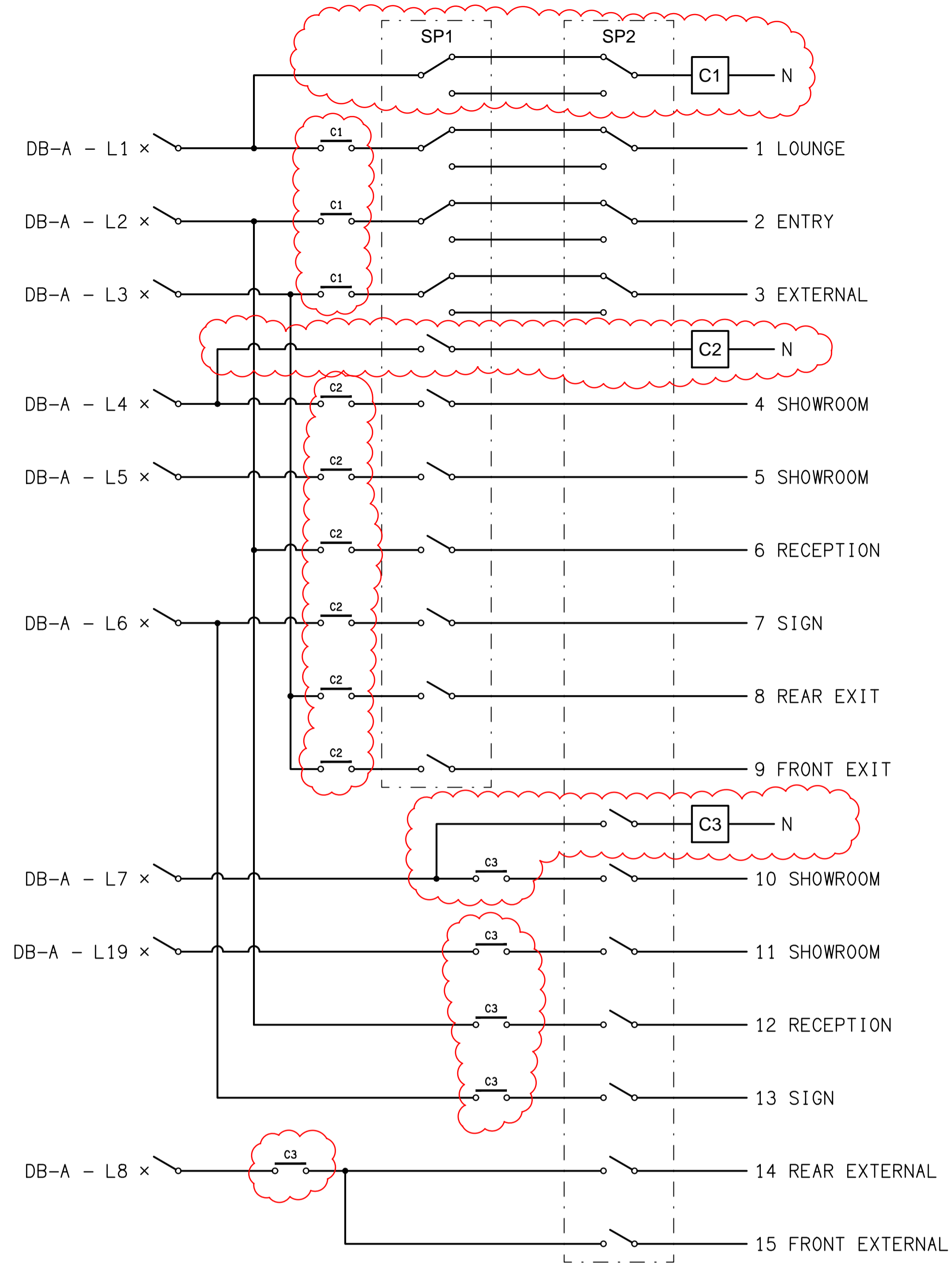
SCHEMATIC
RJ45 PINOUT CONFIGURATION
NOT TO SCALE



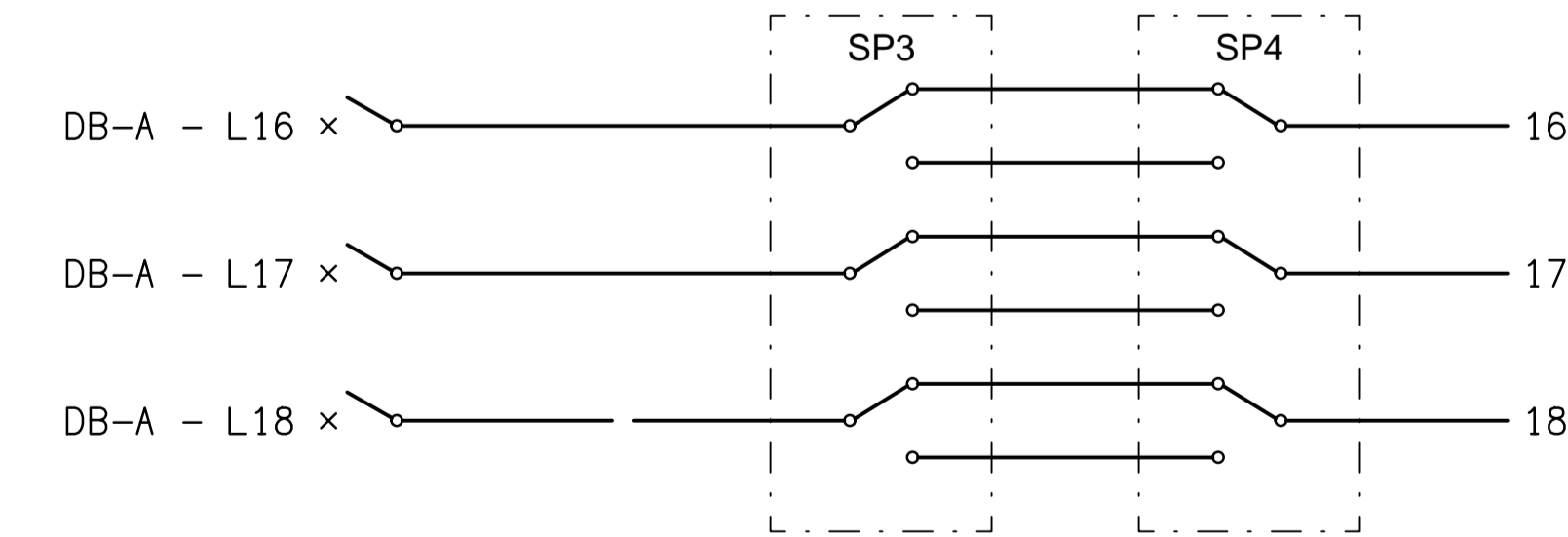
SCHEMATIC
EMERGENCY LIGHTING
NOT TO SCALE

NOTES

- THE EMERGENCY LIGHT UNSWITCHED ACTIVE / GENERAL LIGHTING SWITCHED ACTIVE CIRCUIT ARRANGEMENT AND CONTROL IS TYPICAL FOR ALL CIRCUITS SUPPLYING EMERGENCY LIGHTS.
- PROVIDE ADDITIONAL CONTROL RELAYS (CRx) CONFIGURED AS PER CRa AND CRb FOR ALL ADDITIONAL LIGHTING CIRCUITS THAT SUPPLY LIGHTS IN THE VICINITY OF THE EMERGENCY LIGHTS.



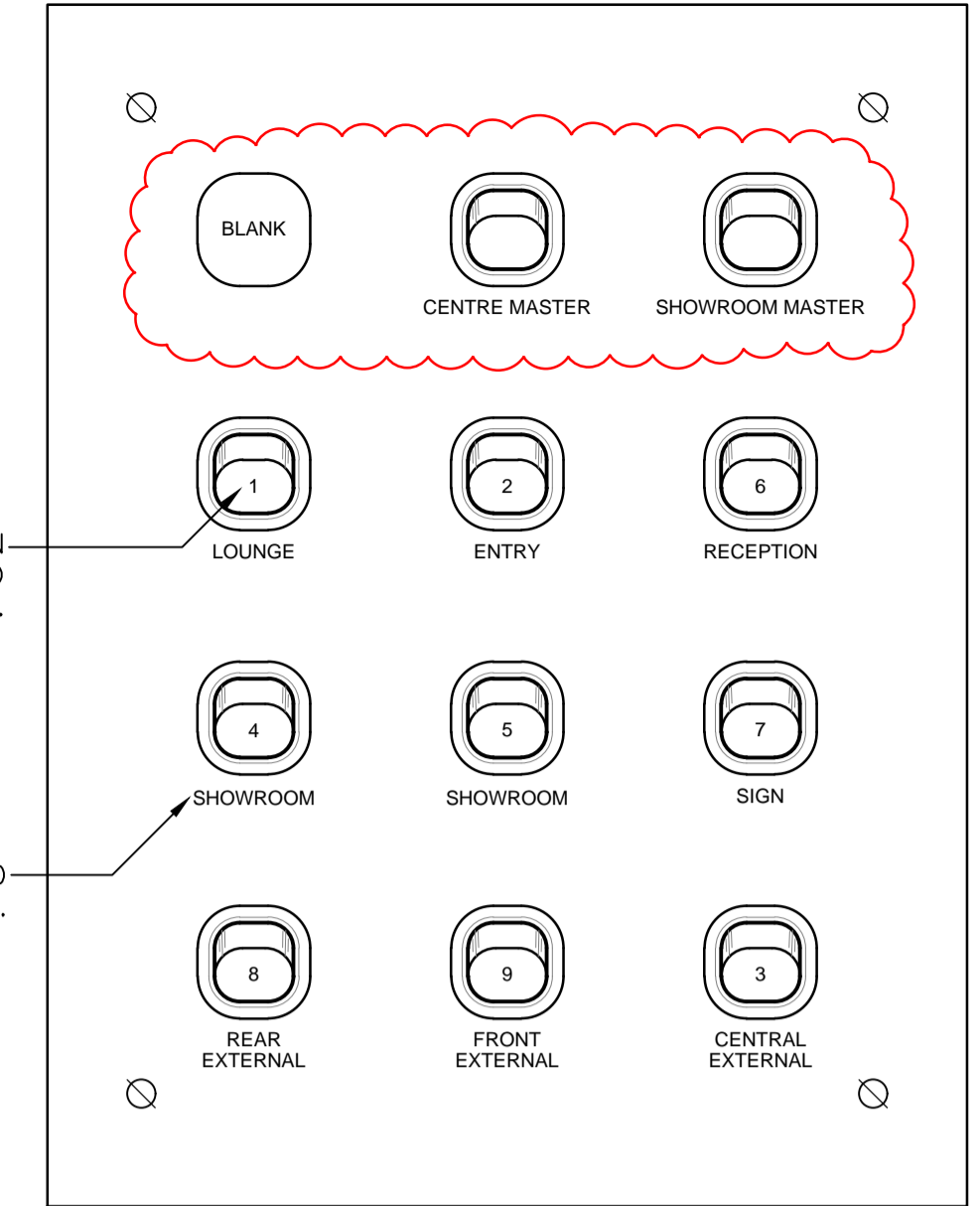
SCHEMATIC
SP1 / SP2 LIGHTING CONTROL
NOT TO SCALE



SCHEMATIC
SP3 / SP4 LIGHTING CONTROL
NOT TO SCALE

INSTALLATION REFERENCE. DO NOT ENGRAVE.

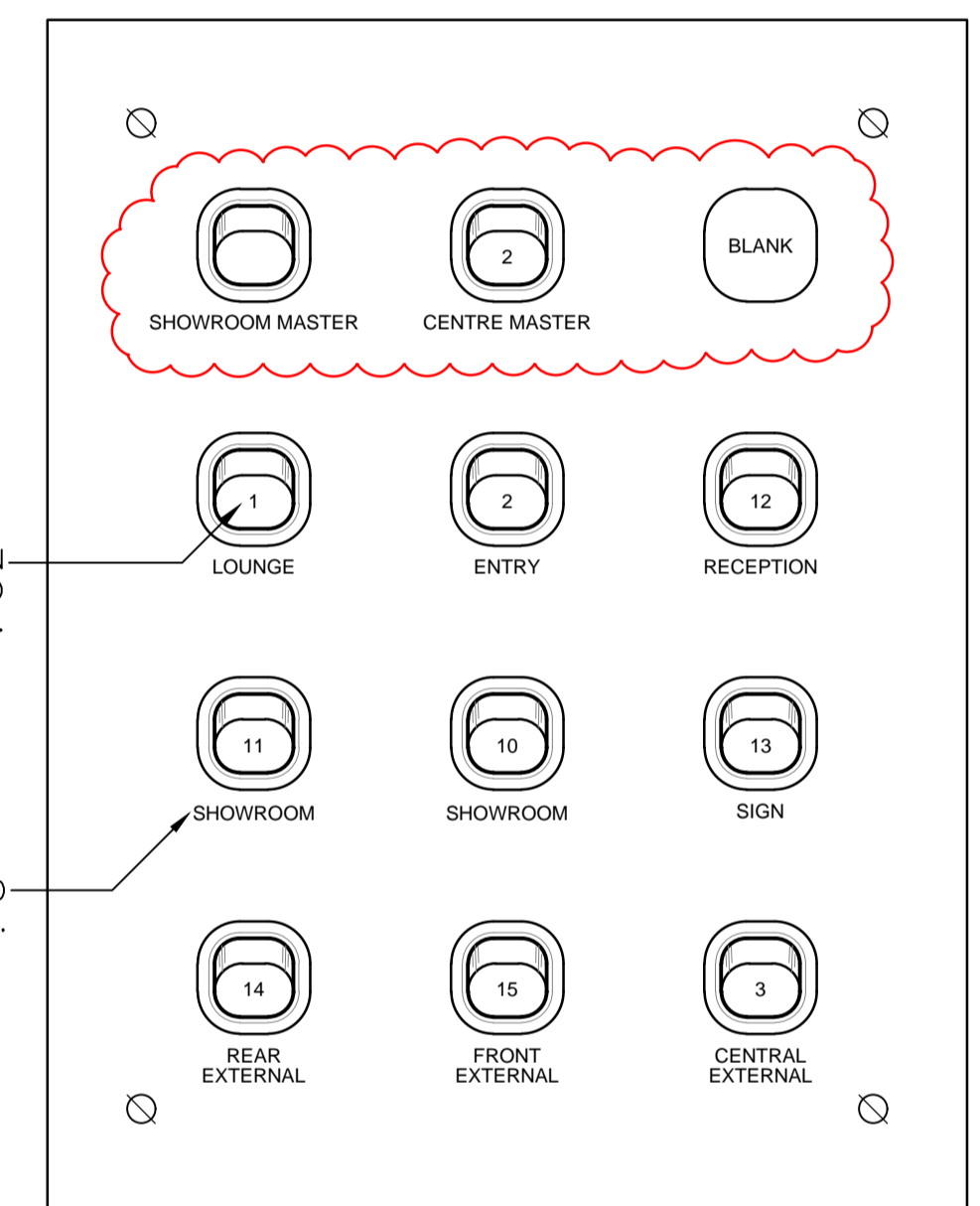
BLACK ENGRAVED TEXT.



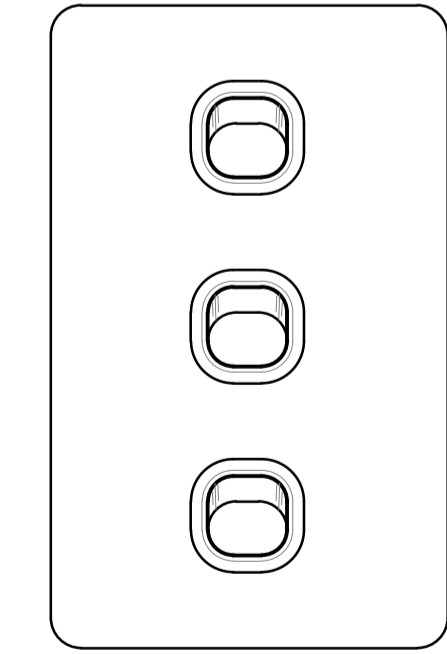
DETAIL
SP1 SWITCH PANEL ELEVATION
NOT TO SCALE

INSTALLATION REFERENCE. DO NOT ENGRAVE.

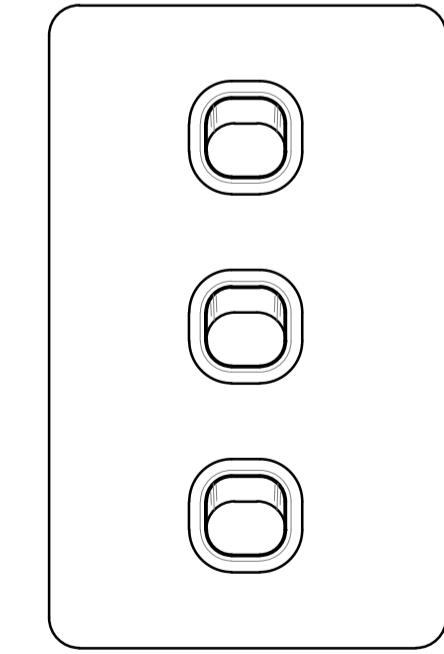
BLACK ENGRAVED TEXT.



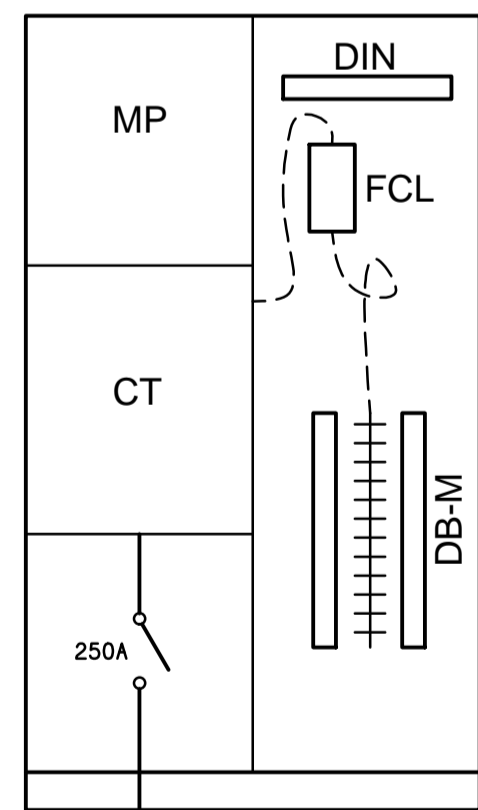
DETAIL
SP2 SWITCH PANEL ELEVATION
NOT TO SCALE



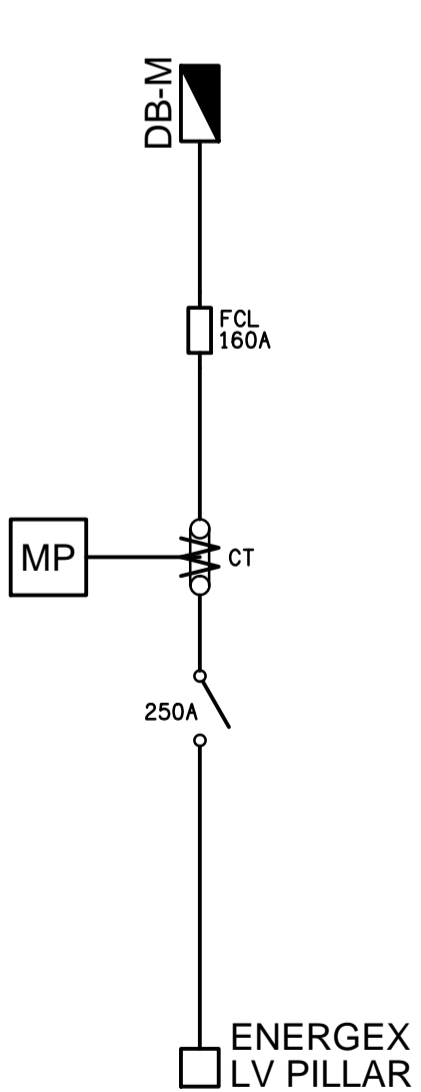
DETAIL
SP3 SWITCH PANEL ELEVATION
NOT TO SCALE



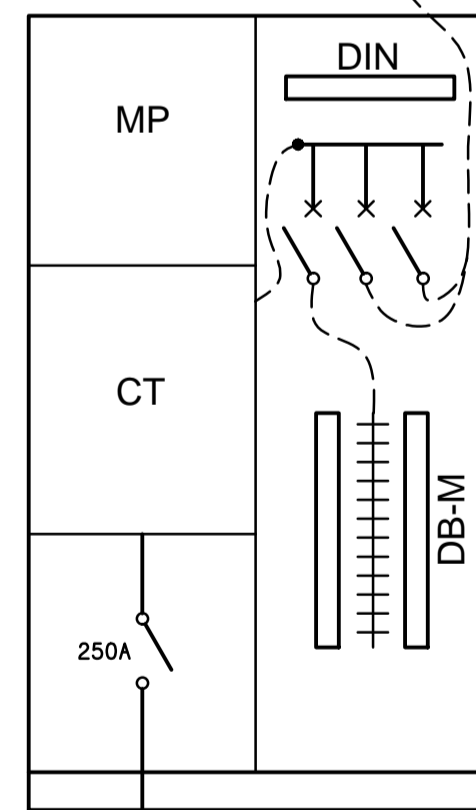
DETAIL
SP4 SWITCH PANEL ELEVATION
NOT TO SCALE



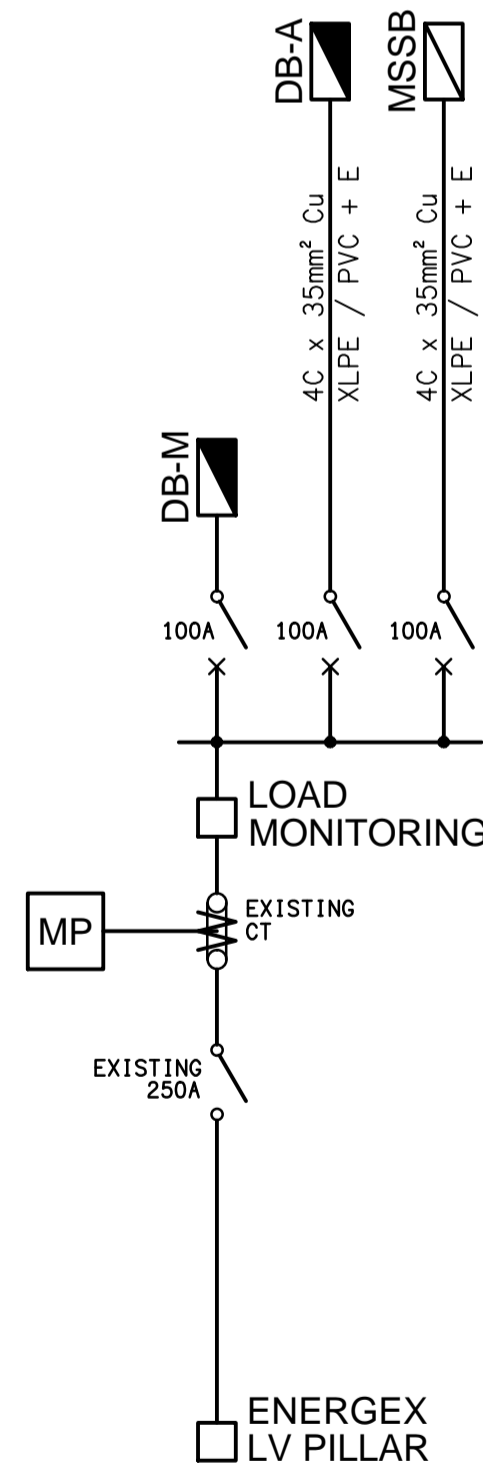
EXISTING MSB
DETAIL ELEVATION
NOT TO SCALE



EXISTING MSB
SCHEMATIC
NOT TO SCALE



PROPOSED MSB
DETAIL ELEVATION
NOT TO SCALE



PROPOSED MSB
SCHEMATIC
NOT TO SCALE

D	CONSTRUCTION	18/07/2024
REV:	DESCRIPTION:	DATE:

DRAWING:
**ELECTRICAL SERVICES
SCHEMATICS & DETAILS**

SCALE:
NOT TO SCALE AT A1

PROJECT NO:
C2857a

DRAWING NO:
E08

REVISION:
D